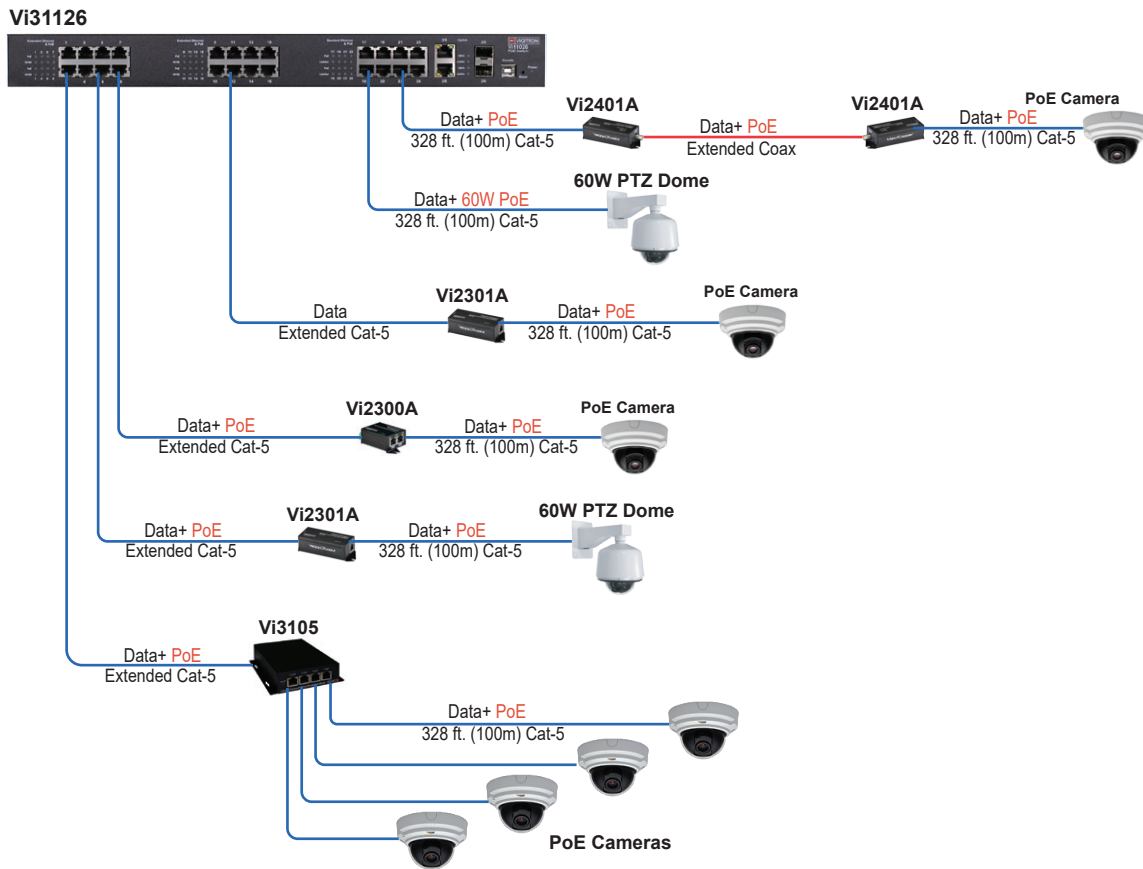


Application Diagrams



Disclaimer

No liability is assumed for any misprint or technical change in this document. Specifications are subject to change without notice. All brand names and trademarks are registered property of Vigitron.

© Vigitron Inc. All rights reserved



TEL (+1) 858-484-5209 • FAX (+1) 858-484-1205

7810 Trade Street, Suite 100, San Diego, CA 92121, USA • support@vigitron.com • www.vigitron.com

© Copyright 2018 Vigitron, Inc.
DSVi31126_0118