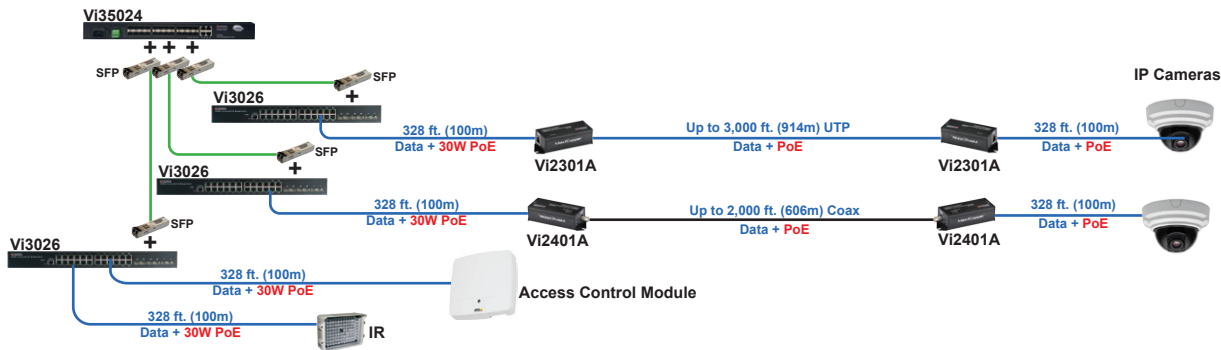
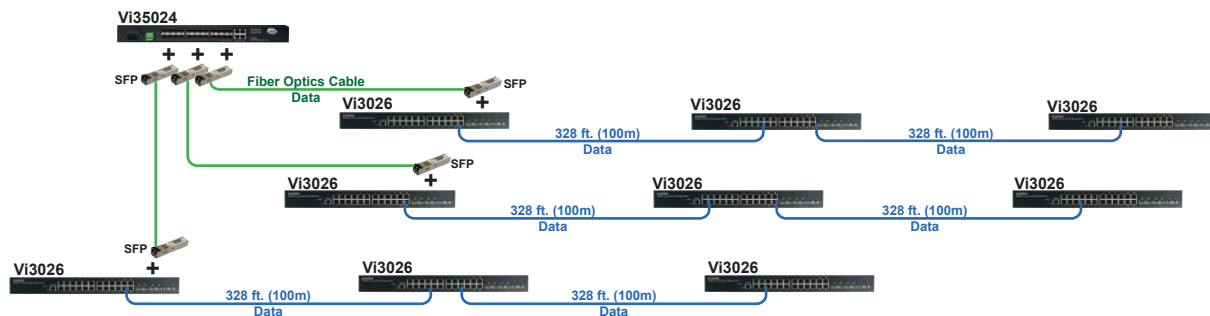


# Application Diagrams



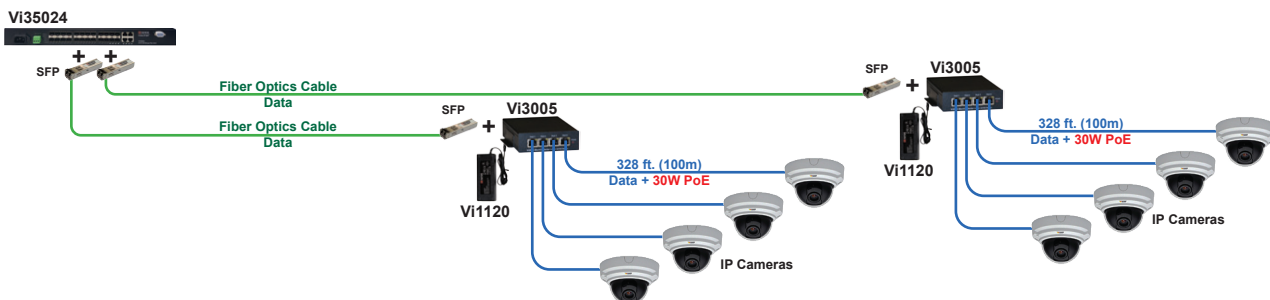
Connections can be made to network switches of any capacity serving as nodes even when used on different subnets. PoE network switches can be used with Coax, UTP, and Single Pair Wires to meet any cable and distance application.



The built-in generator for ICMP, TCP, and UDP packets simplifies set-ups and allows for in-system troubleshooting over direct connections and hops between individual camera or multiple switch connections.



Vigatron Fiber to UTP media converters can be used with Vi35024 to provide 30W of PoE power to cameras or other PoE devices.



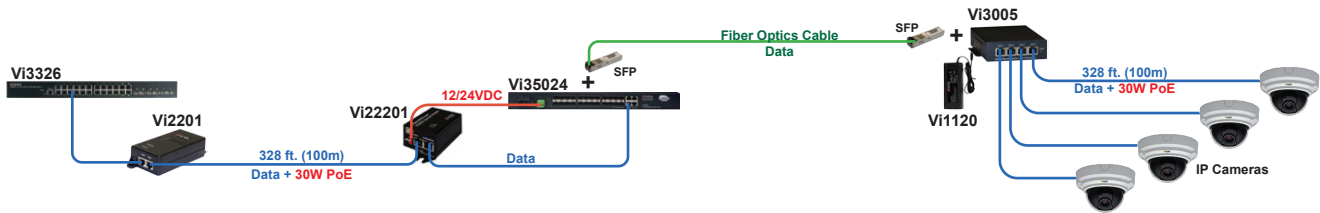
Multiple switches can be connected to the Vi35024 through their Fiber Uplinks to provide a large lowcost video network.



# Application Diagrams



The Vi35024 can be power directly from DC power sources, ranging from 24 to 48 Volts. Vigitron PoE switches in combination with Vigitron splitters can remotely power the Vi35024.



The Vi35024 can be powered directly from DC power sources, ranging from 24 to 48 Volts. Vigitron PoE Midspans in combination with Vigitron splitters can remotely power the Vi35024.