

Vi32226

MaxiiNet™ 26-Port Extended Coax, L2 Managed PoE Switch

Features

- Ideal cost and effective solution for converting existing analog CCTV systems to IP
- 24 extended 10/100Mbps Coax ports with high power PoE
- 2 combination 1000Mbps Copper/SFP uplink ports
- Transmits Data/Video and PoE up to distances of 3,000 feet (914m)
- SNMP and Syslog for communicating error messaging to local computers
- Automatic IP and PoE connection and reconnection
- Automatic programmable MAC identification for all connected devices
- Individual port MAC detection and binding for port security
- 685W total power supply, 550W PoE budget
- Programmable Web Access Filtering (WAF) to prevent unauthorized access
- Transient Protect™ intelligent PoE sensing to prevent damage from short
- Intelligent Power Limit - automatically determines actual PoE power requirements
- 9G bytes fabric switching rate for handling largest megapixels IP cameras
- Programmable PoE up to 36W per port to handle camera start-up and power surge
- Individual port over current protection, monitoring and auto restart
- SecurPort™ provides individual port and complete switch protection against hacking and ghosting



Applications

- Upgrading existing analog CCTV installations to digital
- CCTV system for casinos, airports,
- CCTV system for school campuses, and many more

Vigatron's Vi32226 is the next generation L2 managed switch designed for high power PoE and high bandwidth network applications, providing a reliable infrastructure solution for large CCTV networks. It provides an ideal solution for retrofit projects upgrading analog CCTV systems to IP systems. The Vi32226 provides 24 extended Coax ports for distances up to 3,000 feet (914m) data and PoE and up to 5,000 feet (1,524m) data only.

The Vi32226 delivers intelligent features that are necessary to provide unmatched reliability for the critical business applications with unique PoE monitoring and application features. The Vi32226 enables individual port programming to apply PoE individually timed to each port in order to lower the potential for power overload resulting in potential damage to the switch and connected devices. The Vi32226 provides:

- High Power PoE Budget, total 685W power supply with 550W PoE budget providing up to 36W per port.
- Transient Protect™ determines the difference between the need from additional PoE power and potential damaging shorts providing extra power when required or shutting down port PoE to protect connected devices
- A 9Gbps switch fabric assuring required bandwidth, even when all ports at their maximum bandwidth
- Automatic connection, re-connection, and port monitoring with PoE application for more reliable start-ups and reducing downtime potentials
- Programmable multicasting for compatibility and performance with largest IP video network systems
- Programmable Rapid Spanning Tree for redundant network configuration assuring maintenance of network communication using multiple paths
- Automatic MAC address detection for connected devices for easy connection verification and security programming
- Programmable and auto detect MAC address binding limiting access for potential hacking
- Web filtering and MAC address binding provide a two stage protection against hacking
- SecurPort™ providing complete protection against ghosting when attempts are made to connect unauthorized devices by copying device MAC and IP addresses



The Smart Choice for Transmission Solutions

www.vigatron.com

Technical Specification

Electrical

Ethernet Interface	24 Extended Coax Ports 2 Combination Ports RJ45 @ 1000Mbps 2 Combination Ports MSA Compliant Fiber @ 1000Mbps
Throughput	63.75Mbps
Power	100-240VAC 50/60Hz, internal, universal
Status LEDs	Power, Traffic, Link, and PoE
Total Power Supply	685W
Total PoE Budget	550W
Port PoE	36W
Max. PoE/port	36W for extended ports
Switch Fabric	9.5MPPS, 9Gbps
Connectors	1000Mbps Uplink Ports: 2 x RJ45 Connectors 1000Mbps Uplink Ports: 2 x SFP Sockets 24 BNC Ports (Extended Coax) 10/100Mbps Console Port: USB
PoE Compatibility	IEEE 802.3af/at, 36W Supports per port PoE configuration function
Packet Size	1536 Bytes @ 10/100/1000Mbps
MAC Table	Up to 4K MAC addresses
Port Security	MAC Address Based IP Address Based TCP/UDP Port Based

Regulatory

FCC	Part 15, Class A
Safety	CE, UL, cUL
Environmental	RoHS, WEEE

Environmental

Humidity	0 to 95%, non-condensing
Temperature	Operating: 32° to 104° F; 0° to 40° C Storage: -4° to 158° F; -20° to 70° C

Mechanical

Dimensions	1.75 x 17.5 x 14.87 in, 44.5 x 445 x 378 mm (HxWxL)
Weight	12.7 lb (5.76 Kg)
Housing	Steel sheetmetal

Accessories

- Power Cord
- Mounting Kit
- USB Drive: Operations Manual, Datasheet

Minimum Requirements

- Web Browser: Mozilla Firefox v2.5 or later, Microsoft Internet Explorer v6 or later
- Category 5 Ethernet network cable
- TCP/IP, network adapter, and network operating system (such as Microsoft Windows or Linux) installed on each computer in the network

Ordering Information

Part No.	Description
Vi32226	Fast Ethernet L2 Managed 24-Port Extended Coax PoE switch @ 100Mbps, 2 uplink ports @ 1000 Mbps

Vi32226 Compatible ANSI/IEEE Standards

IEEE/ANSI Standard	Description
IEEE 802.3	Ethernet 10baseT UTP
IEEE 802.3u	Fast Ethernet 1000baseTX UTP
IEEE 802.3ab	Ethernet 1000baseTX UTP
IEEE 802.3z	Ethernet 1000baseX
IEEE 802.3x	Flow control Capability
IEEE 802.1q	VLAN
IEEE 802.1p	Class of Service
IEEE 802.1x	Access Control
IEEE 802.1d	Spanning Tree
IEEE 802.1w	Rapid Spanning Tree
IEEE 802.1s	Multiple Spanning Tree
IEEE 802.1AB	Link Layer Discovery Protocol (LLDP)
IEEE 802.3az	Energy Efficient Ethernet Task
IEEE 802.1Q	Tag Based VLAN
ANSI/IEEE 802.3	Auto – negotiation



Technical Specifications

Layer 2

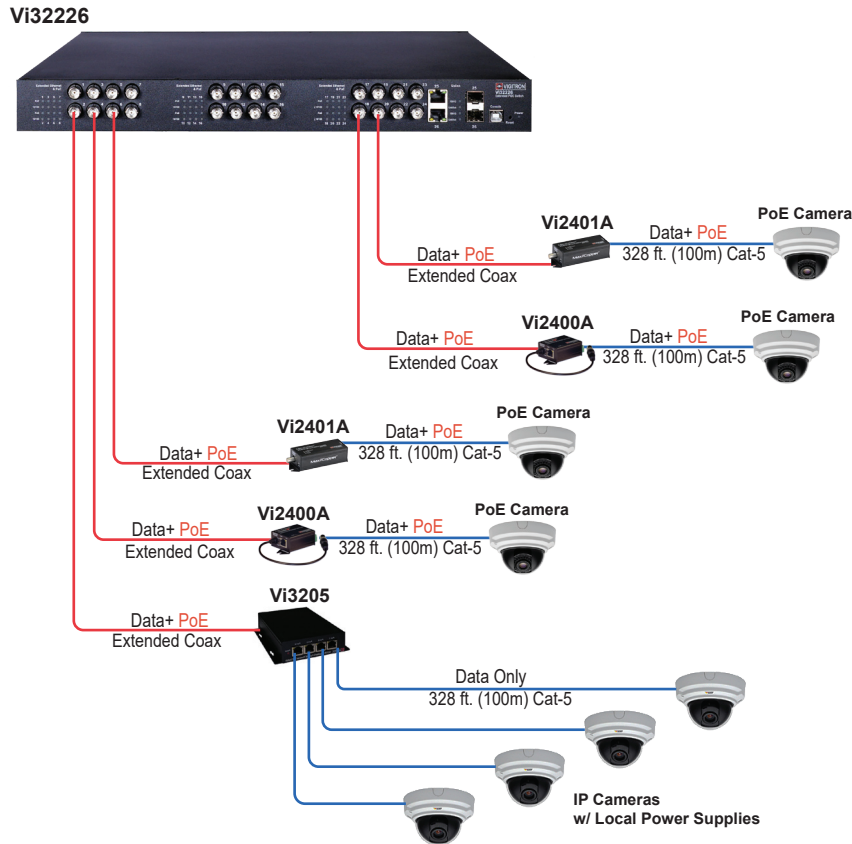
Spanning Tree Protocol (STP)	Standard Spanning Tree 802.1d Rapid Spanning Tree (RSTP) 802.1w Multiple Supports up to 5 different protocol states
VLAN	Supports <ul style="list-style-type: none">• Port-based VLAN• 802.1Q tag-based VLAN• VID Based VLAN
Class of Services	Port Based 802.1Q priority tag based IP TOS/DSCP based for IPv4/IPv6 TCP/UDP port based 2 level priority per port WRRR/First Come-First Serve/Strict Priority
Broadcast Storm Control	Broadcast rate control per port Block broadcast packet not belonging to ARP or IP Packet forwarded to CPU port
Bandwidth Control	480 configurable levels from 32Kbps to 63.75Mbps @ 10/100Mbps 508 configurable levels from 32Kbps to 510Mbps @ 1000Mbps
Spanning Tree Protocol	Blocking/listening/learning/forwarding/disabling/forwarding BPDUs to CPU port
Capture and Port Forwarding	BPDUs, LACP, 802.1x, GMRP, GVRP, ARP, ICMP, IGMP, OSPF, Specific TCP/UDP port numbers
Specific Packet Capture with Forwarding to CPU Port	BPDUs, LACP, 802.1x, GMRP, GVRP, ARP, ICMP, IGMP, TCP, UDP, OSPF Packets with specific TCP/UDP port
MAC Table	Binding User programmable Programmable aging 55 seconds to 15.7 hours

Security

Port Security	MAC address based IP address based TCP/UDP port based Port Based SecurPort™ ghosting protection
MAC Based Port Security	Learning Programmable
Log on	Programmable username and password
Storm Control	Prevents traffic on a LAN from being disrupted by a broadcast, multicast, or unicast storm on a port
ACLs	Drop or rate limitation based on source and destination MAC, VLAN ID or IP address, protocol, port, differentiated services code point (DSCP) / IP precedence, TCP/UDP source and destination ports, 802.1p priority, Ethernet type, Internet control message protocol (ICMP) packets, IGMP packets, TCP flag. Supports up to 256 entries.



Application Diagrams



Disclaimer

No liability is assumed for any misprint or technical change in this document. Specifications are subject to change without notice. All brand names and trademarks are registered property of Vigitron.

© Vigitron Inc. All rights reserved



TEL (+1) 858-484-5209 • FAX (+1) 858-484-1205

7810 Trade Street, Suite 100, San Diego, CA 92121, USA • support@vigitron.com • www.vigitron.com

© Copyright 2020 Vigitron, Inc.