
Vi5000R/Vi5000B

Rack Mount for 4-port Transmission Equipment

Features

- EIA 19" rack mount configuration fits in standard equipment racks
- Holds up to four 4-port certain Vigitron transmission equipment to make a 16-port device
- Provides an easy way to make higher density transmission devices
- Vi5000B is used to fill in blank spaces of Vi5000R



Vi5000R



Vi5000B

Applications

- Multi-port control site Fiber Media Converter applications
- Organizing and rack mounting 4-port Fiber Media Convertors

The Vi5000R is a 19" rackmount shelf that provides an easy way to rack mount up to four certain 4-port Vigitron transmission equipment such as Vi5004 4-port Fiber Media Convertors. The Vi5000B can be used to cover empty spaces of Vi5000R.



The Smart Choice for Transmission Solutions

www.vigitron.com



Technical Specification*

Regulatory

Safety	CE
Environmental	RoHS, WEEE

Ordering Information

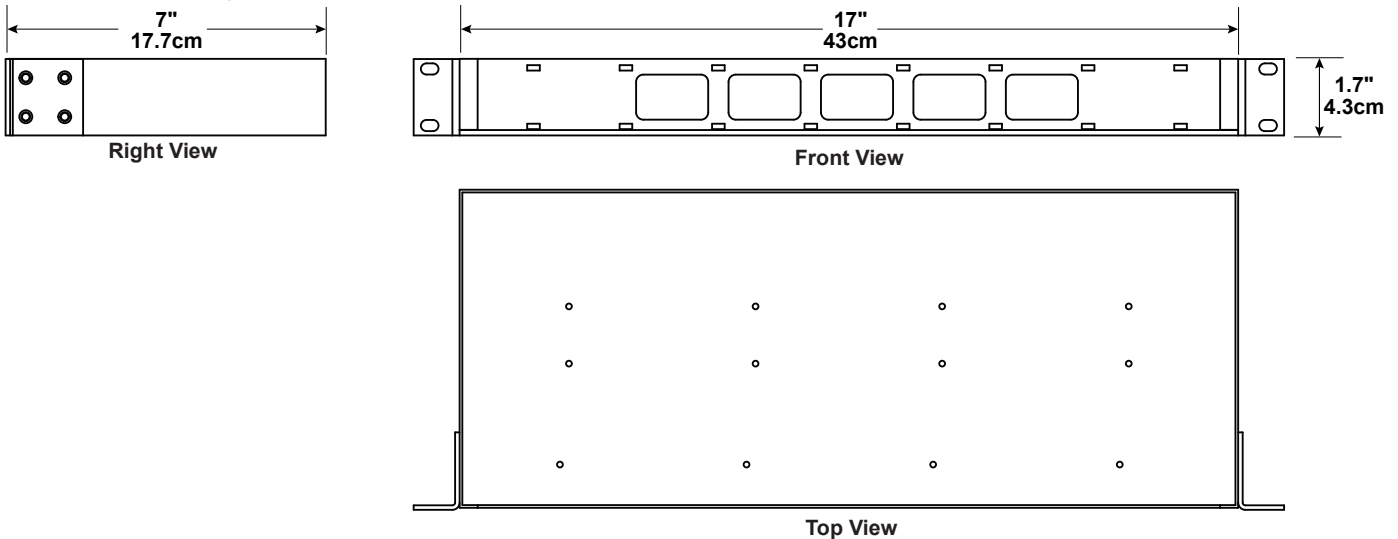
PART No.	Description
Vi5000R	Rack Mount for 4-port transmission Equipment
Vi5000B	Blank Panel For Vi5000R

Mechanical

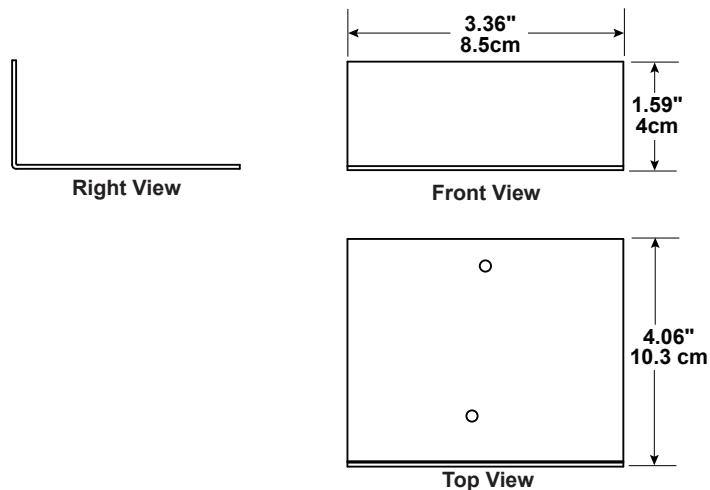
Dimensions	Vi5000R: 1.7 x 7 x 17 in., 4.25 x 17.7 x 43cm (HxWxL) Vi5000B: 1.59 x 3.36 x 4.06 in. 4 x 8.5 x 10.3cm (HxWxL)
Weight	Vi5000R: 2.7 lbs Vi5000B: 0.3 lbs
Material	Sheet Metal
Color	Black

*Specifications subject to change without notice.

Vi5000R Drawings



Vi5000B Drawings

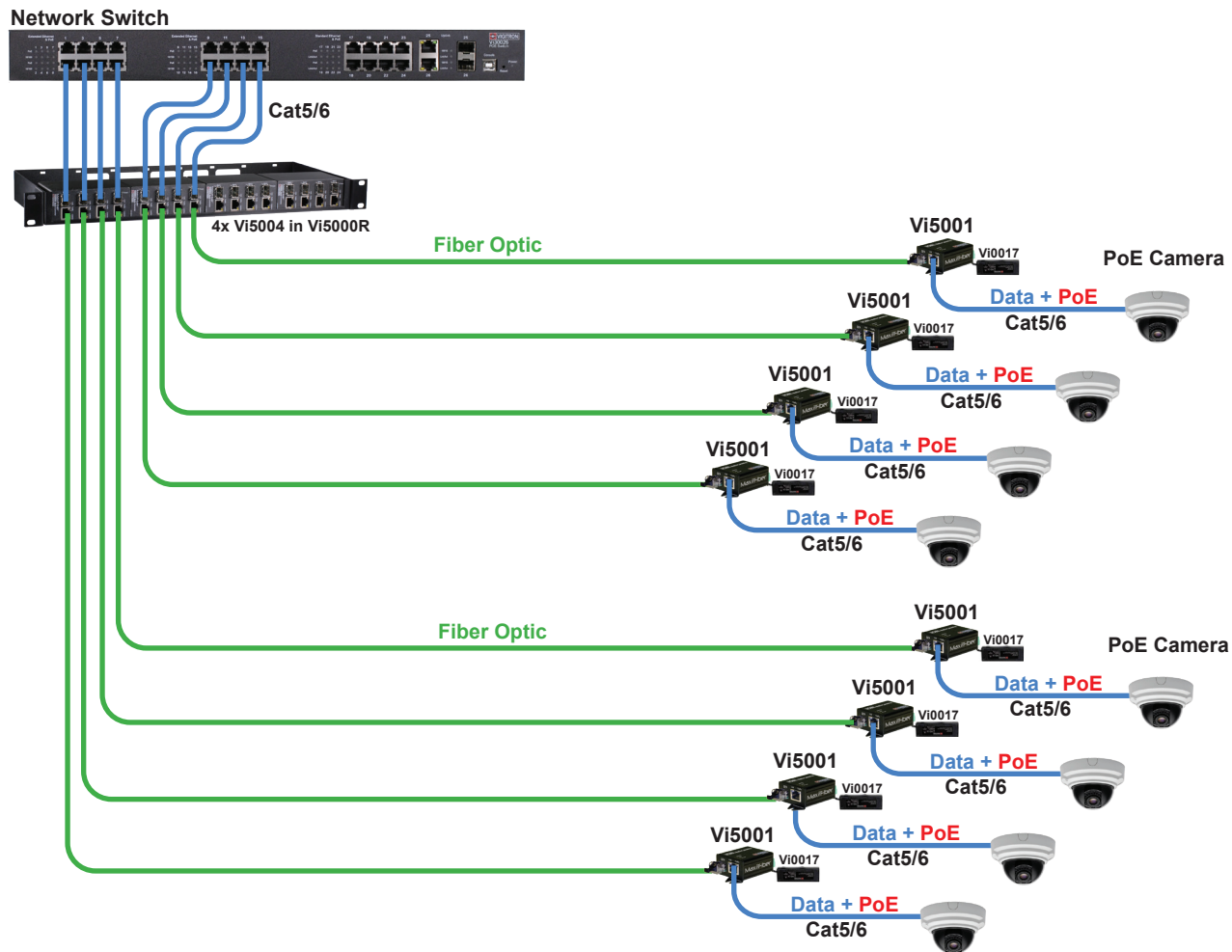


TEL (+1) 858-484-5209 • FAX (+1) 858-484-1205

7810 Trade Street, Suite 100, San Diego, CA 92121, USA • support@vigatron.com • www.vigatron.com

© Copyright 2020 Vigatron, Inc.

Application Diagrams



Up to four Vi5004 can be installed in Vi5000R to make a 16-port rackmountable fiber media converter.