

Vi1116PS

16-Channel Isolated Power Supply

Features

- 16 isolated outputs, individually selectable to 24 VAC or 28 VAC
- 1 A max per channel, 12 A aggregated
- Built-in surge protection
- A glass fuse per channel, accessible from front panel
- Power present and fault indicator LEDs for each camera
- 19", low profile 1U wall or rack or wall mountable
- Designed for structured wiring applications
- Limited lifetime warranty



Applications

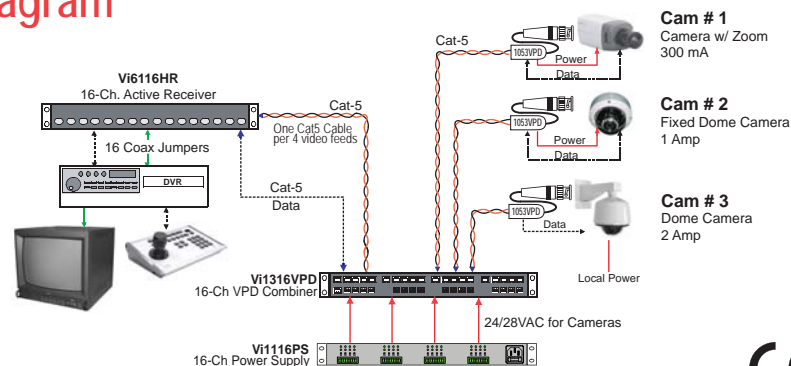
- Security and surveillance
- Powering rack-mounted equipment
- Powering networking equipment
- Structured wiring applications

The Vi1116PS is a high quality 16-channel fully isolated class II power supply that on which each output can be set individually to 24 VAC, 28 VAC or off. Each power output can be individually turned on or off, is equipped with surge protection and a 2 A glass fuse easily accessible from front panel. Each output is also equipped with a resettable fuse for extra protection. The input voltage can be selected at 110 VAC or 220 VAC via an external switch.

The Vi1116PS is a 19" rack mountable at 1U height. This unit can be mounted from front or rear in the rack. The output connections are through detachable terminal blocks to make installation easy. There is one power LED per output.

The Vi1116PS is an ideal CCTV component for a structured cabling environment.

Application Diagram



The smart choice for quality video



www.vigitron.com

Technical Specification*

Electrical

Input Voltage	110 VAC or 220 VAC, externally switch selectable
Input Current	4.8 Amps (110 VAC) / 2.4 Amps (220 VAC)
Output Voltage	Voltage: isolated Class II, 24 VAC, off, 28 VAC rear panel switch selectable
Output Current:	1 A max per camera, 12 A max aggregated Power: 340 VA
Fault Protection	2 A glass fuse (front access) per channel plus 2.5 A restable fuse
Diagnostics LEDs	Power present: 16 Green LEDs, one per channel
Connectors	Pluggable terminal blocks w/ locking screws
Transient Immunity	per ANSI 587 C62.41

Ordering Information

PART No.	Description
Vi1108PS	8-Channel Isolated 24/28 VAC Power Supply
Vi1116PS	16-Channel Isolated 24/28 VAC Power Supply

System Configuration



Environmental

Humidity	0 to 95%, non-condensing
Temperature	Operating: -20C to +50C Storage: -30C to +70C
Minimum Airflow	5 ft /min
Heat	1300 BTU/hour

Mechanical

Dimensions	1.75x17x12 inches, 4.3x43x30.5 cm (HxWxL)
Weight	22 Lb, 10 Kg
Material	Steel sheet metal

Included Accessories

- Mounting brackets for front, rear, or wall installations
- Rubber feet for desk applications
- Molded IEC 7-foot (200cm) power cord

*Specifications subject to change without notice.

