

Vi6300VT

Active UTP Video Transmitter

Features

- Quality video over 6,000 ft. (1,830 m) of Unshielded Twisted Pair wires (UTP)
- NTSC, PAL and SECAM video format compatible
- Female BNC and terminal blocks or RJ-45 connectors
- 70 dB cross talk and noise immunity
- Built-in surge protection
- A single distance adjustment for video
- Screw-less connectors
- Compact size and easy installation
- Limited lifetime warranty



Applications

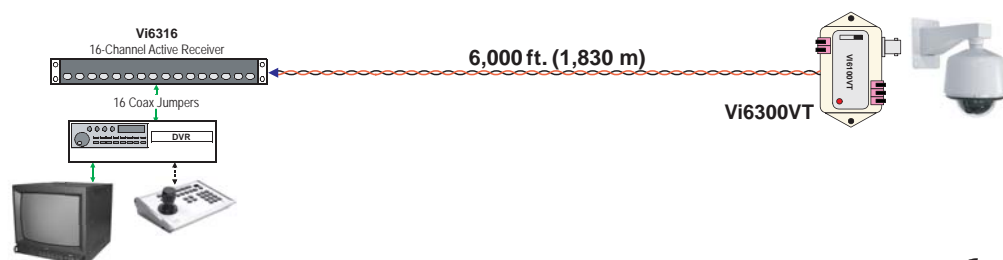
- Security and surveillance
- Department store security
- Casino security
- Hospitals and airports
- School campuses

The Vigitron Vi6300VT is an advanced active device that transmits high resolution color or black and white video over unshielded twisted pair wires. The Vi6300VT uses Category 2-7 UTP wire at distances up to 6,000 ft. (1,830 m) and is designed to be paired with any Vigitron Vi6300 series active receivers.

The Vi6300VT is a compact unit. The power requirement is 12-24 Volts AC or DC, auto-ranging and reverse polarity protected. This flexibility allows to power the transmitter from the same power supply as the camera, or it can be used with the provided power supply. The screw-less wire terminals and a single distance adjustment make the Vi6300VT easy to install. It also has built-in surge suppression to protect video equipment against damaging voltage spikes. Its integrated ground loop isolation prevents disturbing "hum-bars" common with long distance installations and its excellent crosstalk and noise immunity provides quality video up to the maximum distance.

The Vi6300VT innovative design offers exceptional quality video and system flexibility that makes it ideal for a wide variety of applications that require multiple video channels and makes a cost-effective alternative to expensive fiber optic solutions.

Application Diagram



The smart choice for quality video



www.vigitron.com

DSVi6300VT_0609

Technical Specification*

Electrical

Video Format	NTSC, PAL, SECAM
Frequency	20 Hz to 6 MHz
Coax	75 Ohm
Twisted Pair	100 Ohms +/- 20%, 24 AWG minimum up to 6,000 ft. (1,830 m) unshielded Category 2-7
CMRR	70 dB
Power	12V-24 VDC/AC, 150 mA maximum (12 VDC power supply included)
Power Indicator	Red LED
Connectors	UTP video output: Screw-less terminal blocks Video input: Female BNC connector Power: Screw-less terminal blocks
Transient Immunity	per ANSI/IEEE 587 C62.41

Environmental

Humidity	0 to 95%, non-condensing
Temperature	Operating: -10°C to +50°C Storage: -30°C to +70°C

Mechanical

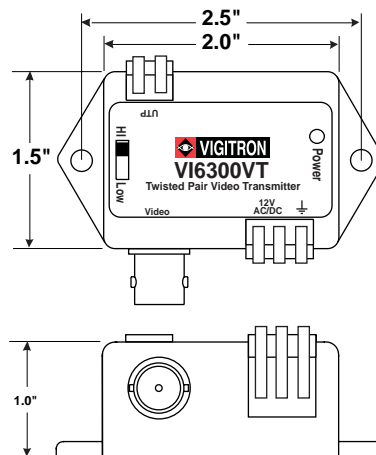
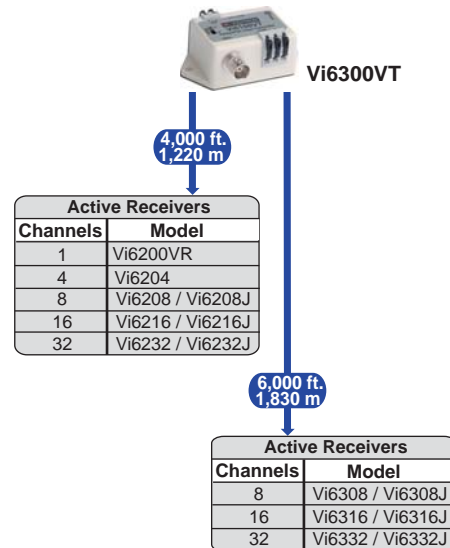
Dimensions	1.6x2.9x1 in., 4.1x7.4x2.5 cm (HxWxL)
Weight	1.5 oz, 40 g
Material	ABS plastic, UL rating of 94V-0

*Specifications subject to change without notice.

Ordering Information

PART No.	Description
Vi6300VT	Active Transmitter

System Configuration



Wire and Cable Recommendations

The Vigitron products are designed to be used with unshielded twisted pair (UTP) wiring. The UTP wire must be 24AWG - 12AWG or Category 2-7 cable. Multi pair cable with an overall shield is acceptable, however individually shielded pairs should be avoided. Multiple UTP video feeds can be operated in the same communication cable along with telephone, computer, control signals and low power voltages. While UTP video may be routed through punch-down block terminals, any resistive, capacitive or inductive devices (such as T-taps or MOV's) must not be used. Please contact Vigitron for more specific information regarding wire types and proper installation techniques.



TEL (+1) 858-484-5209 • FAX (+1) 858-484-1205
13906 Sparren Ave. San Diego, CA 92129, USA • info@vigitron.com • www.vigitron.com