



VIGITRON

VI1008 / VI1016 / VI1032

Passive Twisted Pair Video Transceiver Hubs



The Vigatron VI1008, VI1016, and VI1032 are 8, 16, and 32-port passive transceiver hubs that transmit video over unshielded twisted pair (UTP) wires, point-to-point, for distances up to 1000 feet (330 m)**.

They are used with VI1000 or VB1000 transceivers to support "up-the-coax" PTZ signals. These Hubs use Category 2-5 twisted pair wires, are easy to install, cost effective, and do not require power.

They have built-in surge suppression to protect video equipment against damaging voltage spikes and provide noise immunity to ensure quality signals without disturbing "hum-bars". These hubs offer quality video in a highly integrated and cost-effective package. They are ideal for a wide variety of security and surveillance applications that require high-density CCTV systems.

FEATURES

- High-Density 19", 1U Rack Mount With Wall Mount Capability
- Quality color and B&W video over 1000 feet (330 m) of unshielded twisted pair wires (UTP)**.
- NTSC, PAL, and SECAM video formats
- No power required
- 50 dB cross talk and noise immunity
- Built-in surge protection
- Female BNC and detachable terminal blocks
- Includes 8, 16 or 32 two-foot coax jumper cables
- Limited life-time warranty

APPLICATIONS

- Security and Surveillance
- Elevator Surveillance
- Casino Security
- Hospitals and Airports
- School Campuses

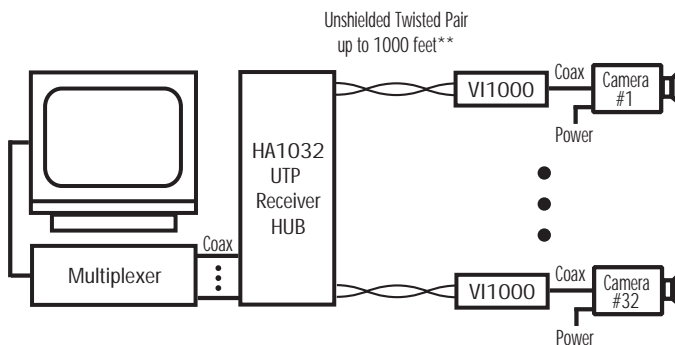
SPECIFICATIONS*

Video Format	NTSC, PAL, SECAM
Frequency	DC to 10 MHz
	Coax 75 Ohm
Twisted Pair	100 Ohms +/- 20%, 24 AWG min
	Unshielded Category 2-5 up to 1000 feet (330m)**
CMRR	50 dB
Insertion Loss	0.3 dB
Power	No power required
Connectors	Video Inputs: Detachable Terminal Blocks
	Video outputs: BNC Connector
Mating Transceivers	VB1000, VI1000, VI1004, VI1008, VI1016, VI1032 & HA1008, HA1016
Temperature	Operating: -10°C to +70°C
	Storage: -30°C to +70°C
Humidity	0 to 95%, non-condensing
Transient Immunity	6000V, 1.2 uS x 50 uS
Dimensions	1.7x17.0x8.0 Inches, 4.3x43x20.3 cm (HxWxL)
Weight	3.3 Lb, 1500 g
Material	Aluminum
Mounting	Rack Mount or Wall Mount (Mounting Kit Included)

*Specifications subject to change without notice.

**It is recommended not to exceed 750 feet (250m) when using with digital equipment.

APPLICATION DIAGRAM



The Smart choice for quality video™