

Vi6004HR

4-Ch Active UTP Video Receiver Hub

Features

- Quality color and B&W video over 6000 feet (2000 m) of unshielded twisted pair wires (UTP).
- NTSC, PAL, and SECAM video formats
- Compatible with qualified cameras with built-in UTP transmitter
- 70 dB cross talk and noise immunity
- Full ground-loop immunity
- Built-in surge protection
- A single distance adjustment for video
- Detachable terminal blocks and RJ-45 connector for UTP
- Video Present LED indicators for each channel
- High-Density, 1U Rack-Mountable with a VI0010 panel
- Limited Lifetime warranty



Applications

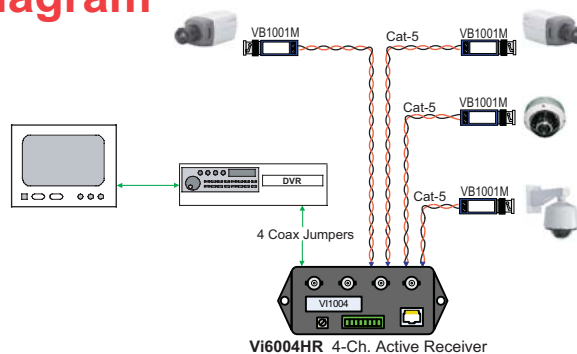
- Security and Surveillance
- Department Store Security
- Casino Security
- Hospitals and Airports
- School Campuses

The Vigitron Vi6004HR is a 4-port active video receiver HUB. It receives quality color and B&W video over up to 6000 feet (2000 m) of point-to-point unshielded twisted pair (UTP) wires.

This HUB are used with Vi6000VT (for up to 6000 ft) or any vigitron passive transceivers such as Vi1000 (for up to 3000 ft) transceivers. It uses Category 2-5 twisted pair wires, easy to install, and cost effective. This HUB have built-in surge suppression to protect video equipment against damaging voltage spikes and provide noise immunity to ensure quality signals without disturbing "hum-bars". The distance for each channel is easily adjustable using a single potentiometer. A green LED indicates video presence for each channel.

The Vi6004HR offers quality video in a highly integrated and cost-effective package. It is are ideal for a wide variety of security and surveillance applications

Application Diagram



The smart choice for quality video



www.vigitron.

DSVi6004HR_0805

Technical Specification**

Electrical

Video Format	NTSC, PAL, SECAM
Frequency	20 Hz to 6 MHz
Coax	75 Ohm
Twisted Pair	100 Ohms +/- 20%, 24 AWG min up to 1000 feet (305 m)* Unshielded Category 2-5
CMRR	70 dB
Video Present	Green LED for each channel
Power	12-24V AC/DC, 800 mA (12V DC Power Supply Included)
Power Indicator	Red LED
Connectors	UTP Video Inputs: Terminal Blocks and RJ-45 Connector Video outputs: BNC Connector Power: Terminal Blocks
Transient Immunity	6000V, 1.2 uS x 50 uS

Environmental

Humidity	0 to 95%, non-condensing
temperature	Operating: -10C to +70C Storage: -30C to +70C

Mechanical

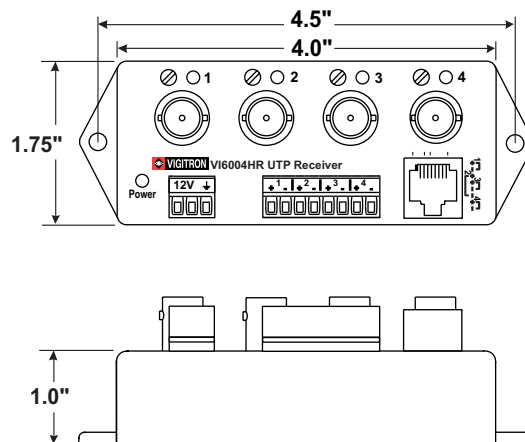
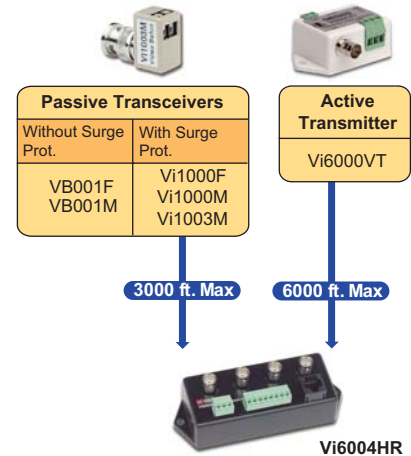
Dimensions	1.75x4.5x1 Inches, 4.4x11.5x2.5 cm (HxWxL)
Weight	0.2 Lb, (100 g)
Material	BlackABS Plastic, UL rating of 94V-0

**Specifications subject to change without notice.

Ordering Information

PART No.	Description
Vi6004HR	4-Ch Active Receiver HUB

System Configuration



Wire and Cable Recommendations

The Vigitron products are designed to be used with unshielded twisted pair (UTP) wiring. The UTP wire must be 24AWG - 12AWG or Category 2 - 7 cable. Multi-pair cable with an overall shield is acceptable, however individually shielded pairs should be avoided, Multiple UTP Video feeds can be operated in the same communication cable along with telephone, computer, control signals and low power voltages. While UTP video may be routed through punch-down block terminals, any resistive, capacitive or inductive devices (such as T-taps or MOV's) must not be used. For more specific information regarding wire types and proper installation techniques, please contact Vigitron for technical assistance.



TEL (+1) 858-484-5209 • FAX (+1) 858-484-1205
13906 Sparren Ave. San Diego, CA 92129, USA • info@vigitron.com • www.vigitron.com