

Technical Specification*

Electrical

Video Format	NTSC, PAL, SECAM
Frequency	10 Hz to 8 MHz
Input Impedance	75 Ohm
Output Impedance	75 Ohm
Max. Output Level	4 Vpp/75Ω
Insertion Loss	0.8 dB
Power	No power required
Connectors	Camera side: Isolated Male BNC Monitor side: Male BNC
Isolation Voltage	700 V DC
Insulation Resistance	100 MOhms

Environmental

Humidity	0 to 95%, non-condensing
Temperature	Operating: -10C to +70C Storage: -30C to +70C

Mechanical

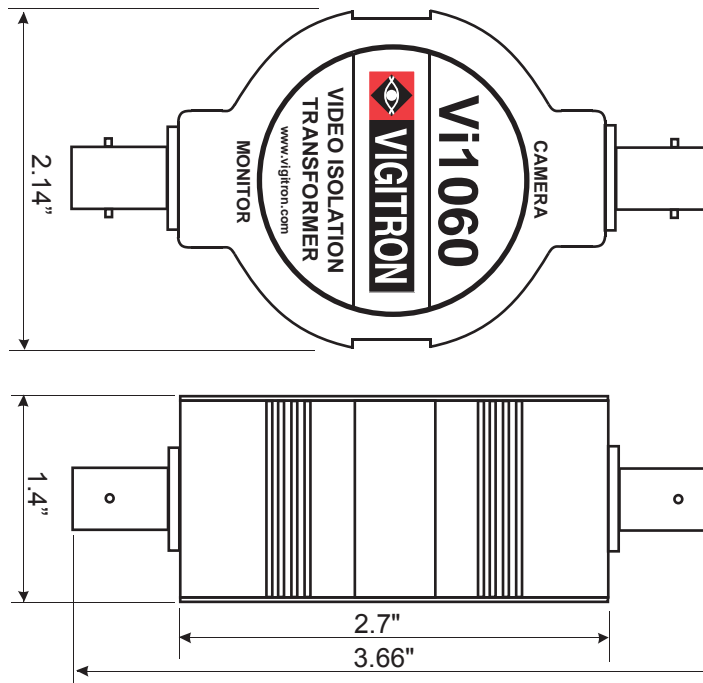
Dimensions	2.14x1.4x3.66 Inches (55x3.5x9.3 mm)
Weight	5.6 oz (162 g)
Material	Aluminum

*Specifications subject to change without notice.

Ordering Information

PART No.	Description
Vi1060	Video Isolation Transformer

System Configuration



TEL (+1) 858-484-5209 • FAX (+1) 858-484-1205
13906 Sparren Ave. San Diego, CA 92129, USA • info@vigitron.com • www.vigitron.com